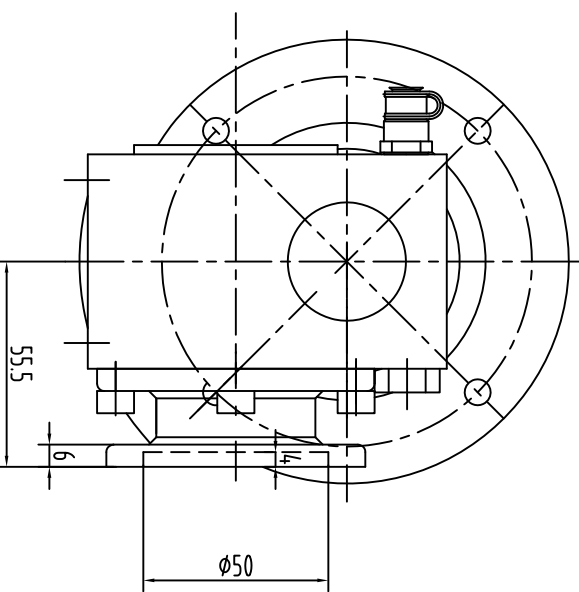
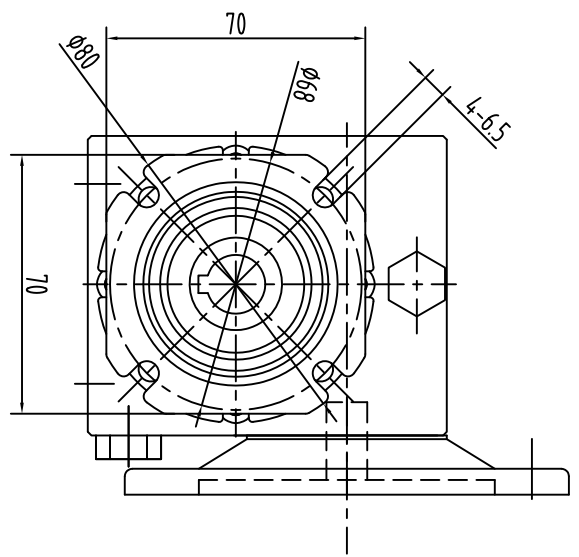
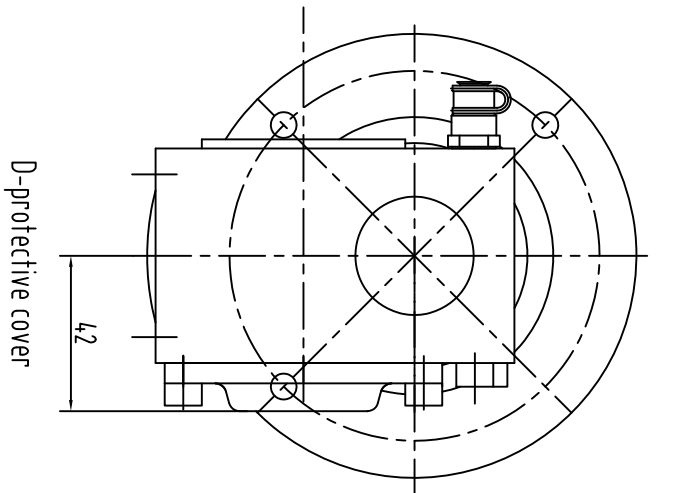


Motor flange mounting dimensions

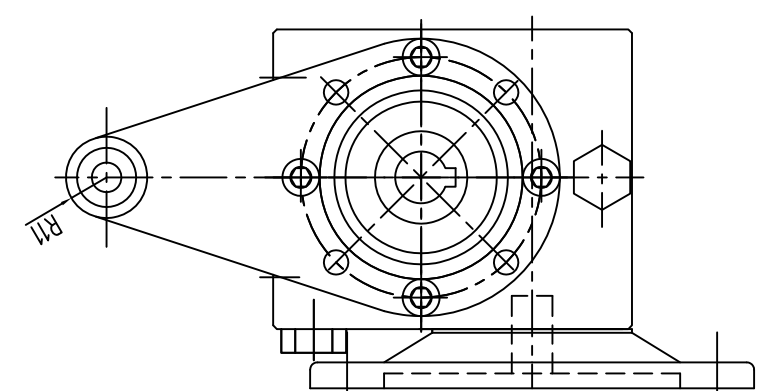
| Dim   | D  | M   | P    | d | BH   | BU | E   | Q  | The hole diameter of shaft UA |    |    |    |    |    |    |    |
|-------|----|-----|------|---|------|----|-----|----|-------------------------------|----|----|----|----|----|----|----|
|       |    |     |      |   |      |    |     |    | 7.5                           | 10 | 15 | 20 | 25 | 30 | 40 | 50 |
| 63B5  | 95 | 115 | 14.0 | 9 | 12.8 | 4  | 5   | 23 | 11                            | 11 | 11 | 11 | 11 | 11 | -  | -  |
| 63B14 | 60 | 75  | 9.0  | 6 | 12.8 | 4  | 3.5 | 23 | 11                            | 11 | 11 | 11 | 11 | 11 | -  | -  |
| 56B5  | 80 | 100 | 12.0 | 7 | 10.4 | 3  | 4   | 19 | 9                             | 9  | 9  | 9  | 9  | 9  | 9  | 9  |
| 56B14 | 50 | 65  | 8.0  | 6 | 10.4 | 3  | 3.5 | 19 | 9                             | 9  | 9  | 9  | 9  | 9  | 9  | 9  |



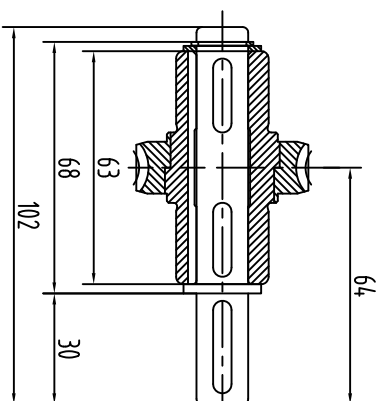
Output flange mounting dimensions



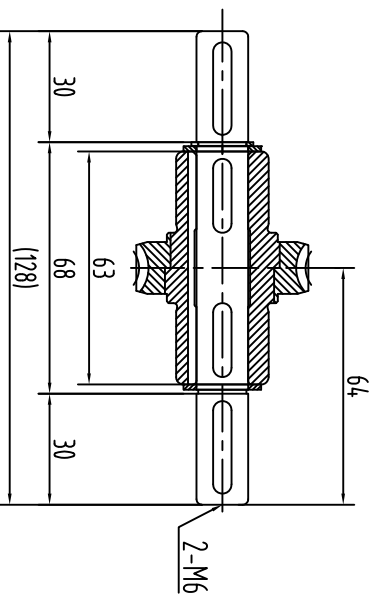
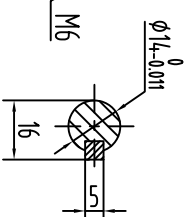
D-protective cover



E-torque arm



A-single output shaft



B-single output shaft

