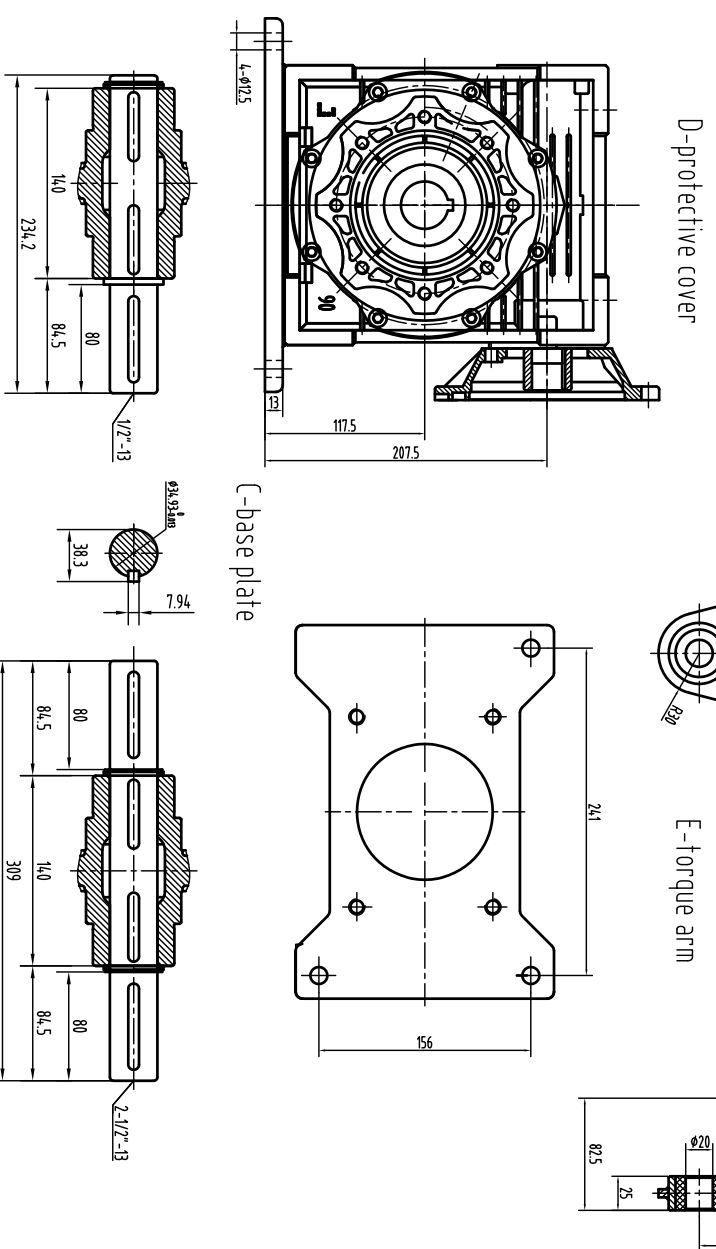
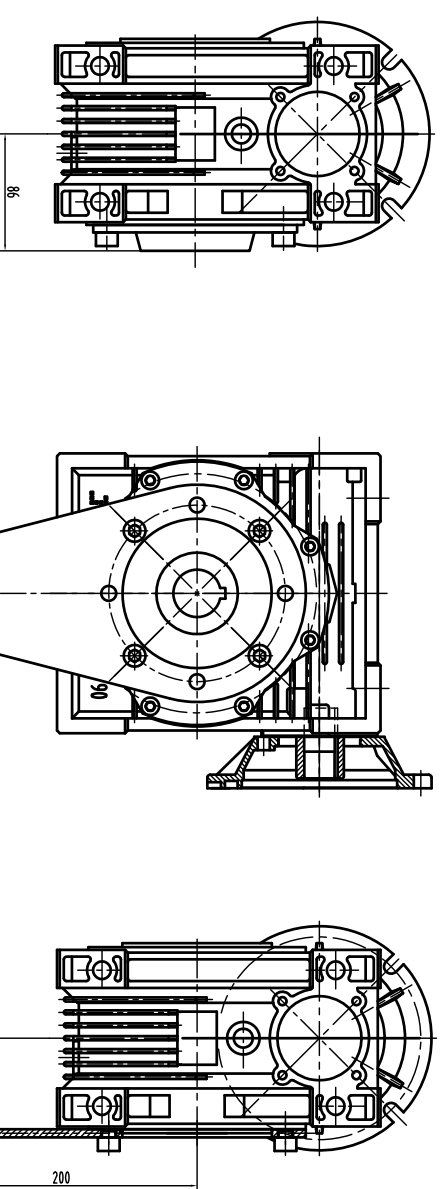
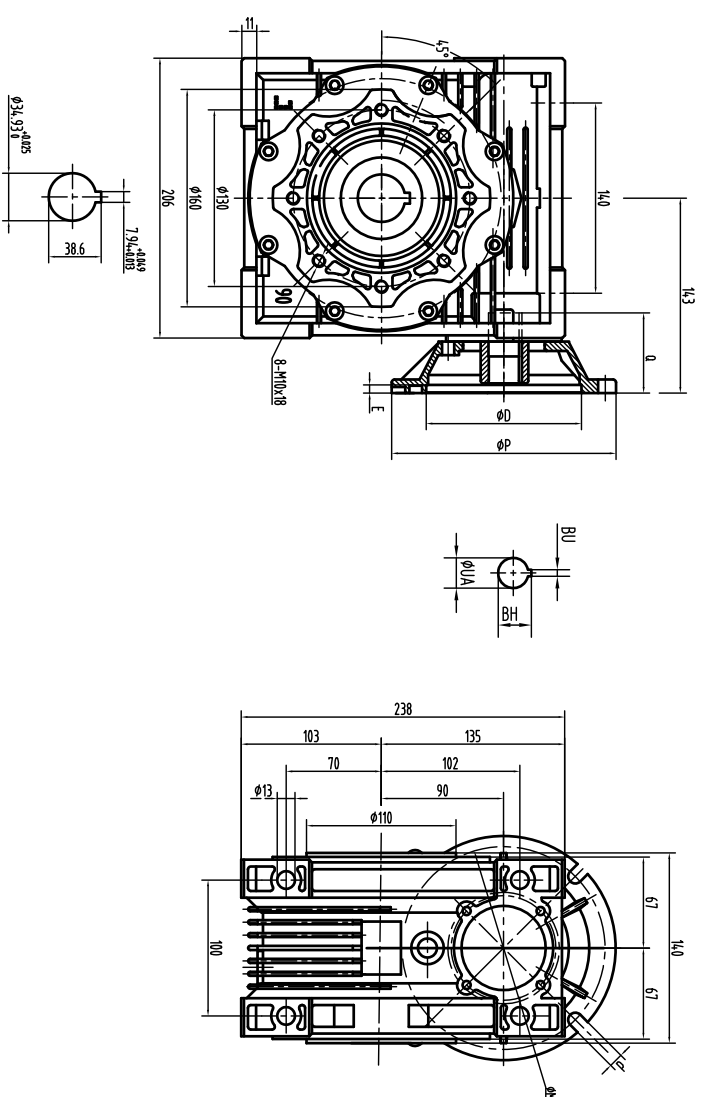


Motor flange mounting dimensions

Dim	D	M	P	d	BH	BU	E	Q	The hole diameter of shaft UA									
									7.5	10	15	20	25	30	40	50	60	80
Motor flange									Ratio i									
56C	114.3	149.4	165.1	10.5	18.1	4.78	6	55	15.88									
140TC	114.3	149.4	165.1	10.5	24.6	4.78	6	59	22.23									
180TC	130	165	200	13.7	31.5	6.35	6	76	28.58									

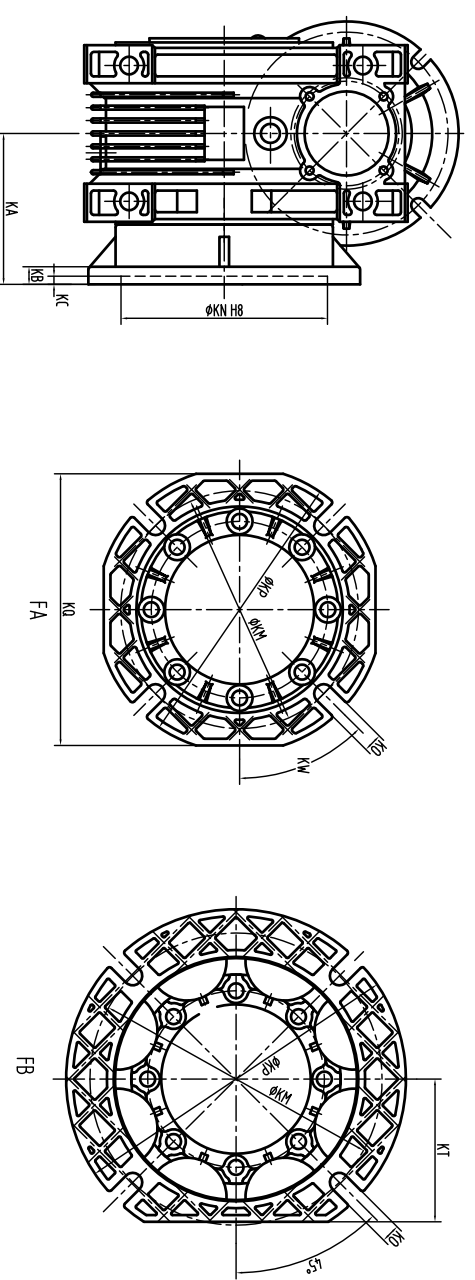
Output flange mounting dimensions

Dim	KA	KB	KC	KN	KM	KO	KP	KQ	KT	KW
Output flange										
FA	111	13	6	152	175	14	210	200	-	4.5°
FB	122	18	6	180	215	14	250	-	105	4.5°
FC	110	17	6	130	165	11	200	-	-	4.5°
FD	151	13	6	152	175	14	210	200	50	4.5°



A-single output shaft

B-doubel output shaft



Output flange mounting dimensions

