

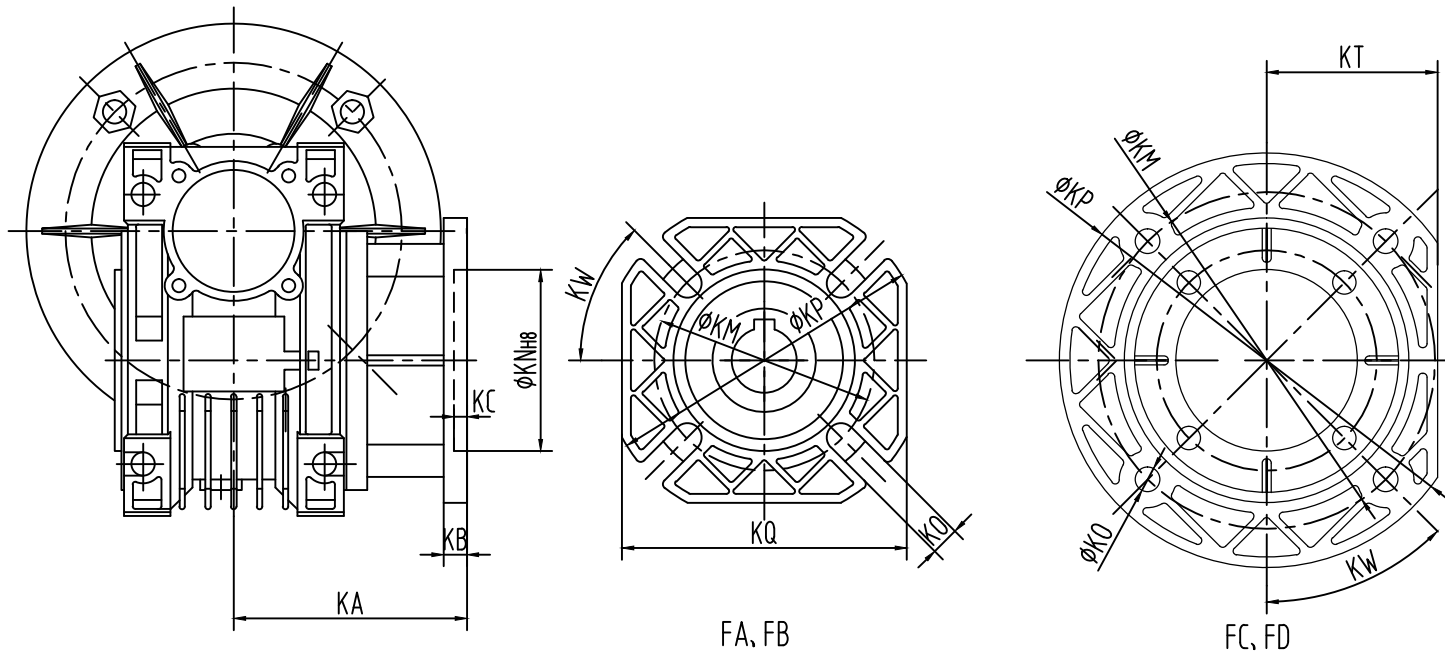
Motor flange mounting dimensions

Output flange mounting dimensions

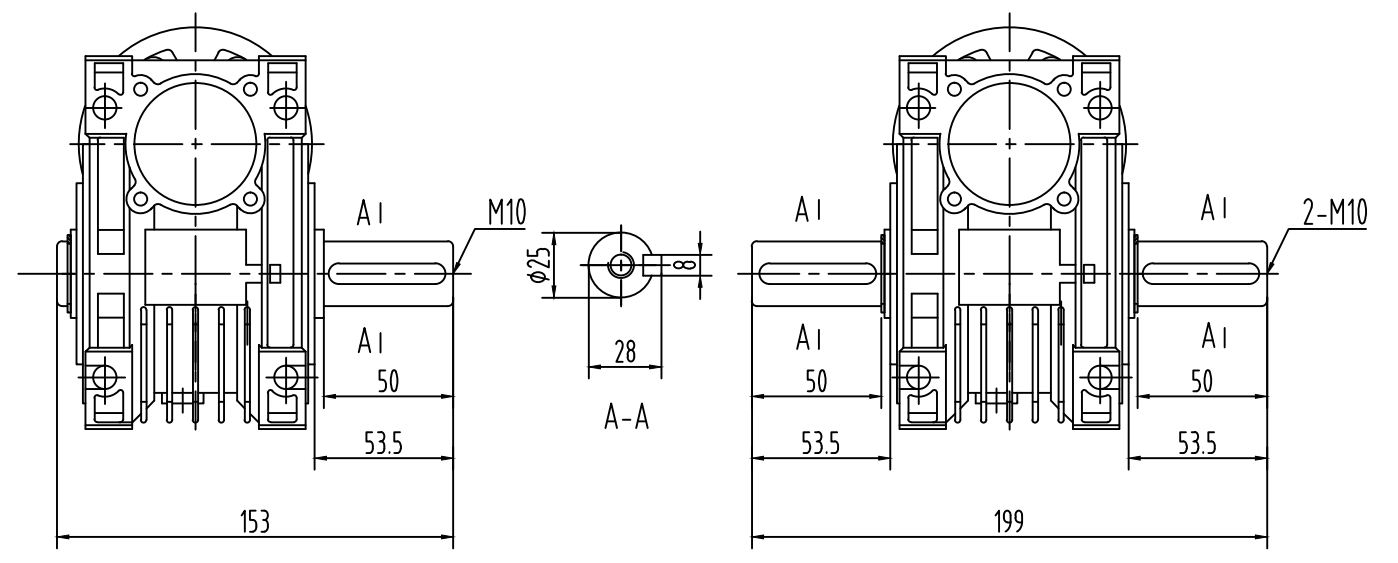
E-torque arm

Dim Motor flange	D	M	P	d	BH	BU	E	Q	The hole diameter of shaft UA													
									Ratio i													
									7.5	10	15	20	25	30	40	50	60	80	100			
80B5	130	165	200	11	21.8	6	6	40	19	19	19	19	19	19	-	-	-	-	-	-	-	-
80B14	80	100	120	6.6	21.8	6	6	40	-	-	-	-	-	-	-	-	-	-	-	-	-	-
71B5	110	130	160	9	16.3	5	6	30	-	14	14	14	14	14	14	14	14	14	14	-	-	-
71B14	70	85	105	6.6	16.3	5	4	30	-	-	-	-	-	-	-	-	-	-	-	-	-	-
63B5	95	115	140	9	12.8	4	5	23	-	-	-	-	-	-	11	11	11	11	-	-	-	-

Dim Output flange	KA	KB	KC	KN	KM	KO	KP	KQ	KT	KW
FA	90	9	5	70	85	11	125	110	-	45°
FB	120	9	5	70	85	11	125	110	-	45°
FC	80	9.5	5	110	130	9.5	160	-	66	45°
FD	89	15	5	95	115	11	140	-	60	45°



Output flange mounting dimensions



A-single output shaft

B-double output shaft



Worm Gear