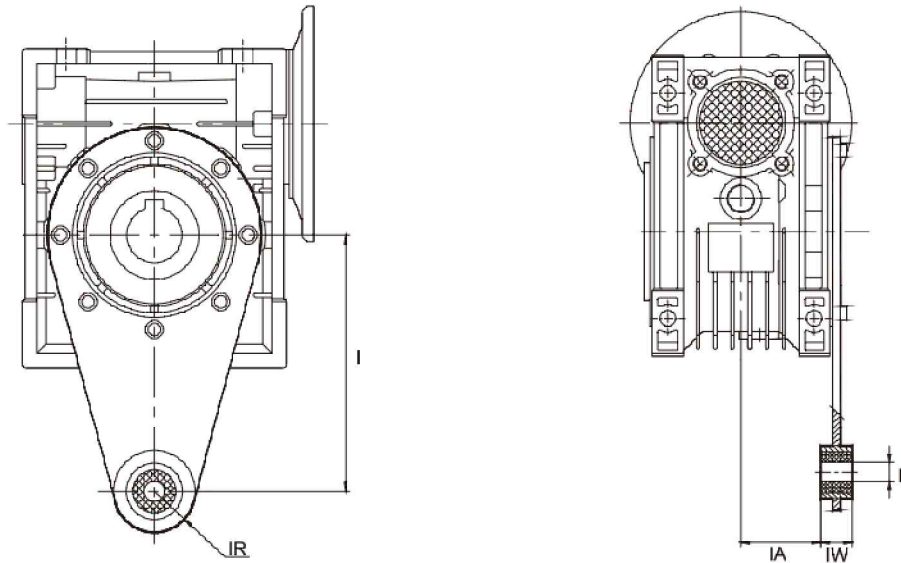


Model	JRW Torque Arm
Unit	mm



	25	30	40	50	63	75	90	110	130	150
I	70	85	100	100	150	200	200	250	250	250
IA	17.5	24	31.5	38.5	49	47.5	57.5	62	69	84
IL	8	8	10	10	10	20	20	25	25	25
IR	15	15	18	18	18	30	30	35	35	35
IW	14	14	14	14	14	25	25	30	30	30



Worm Gear

Torque Arm