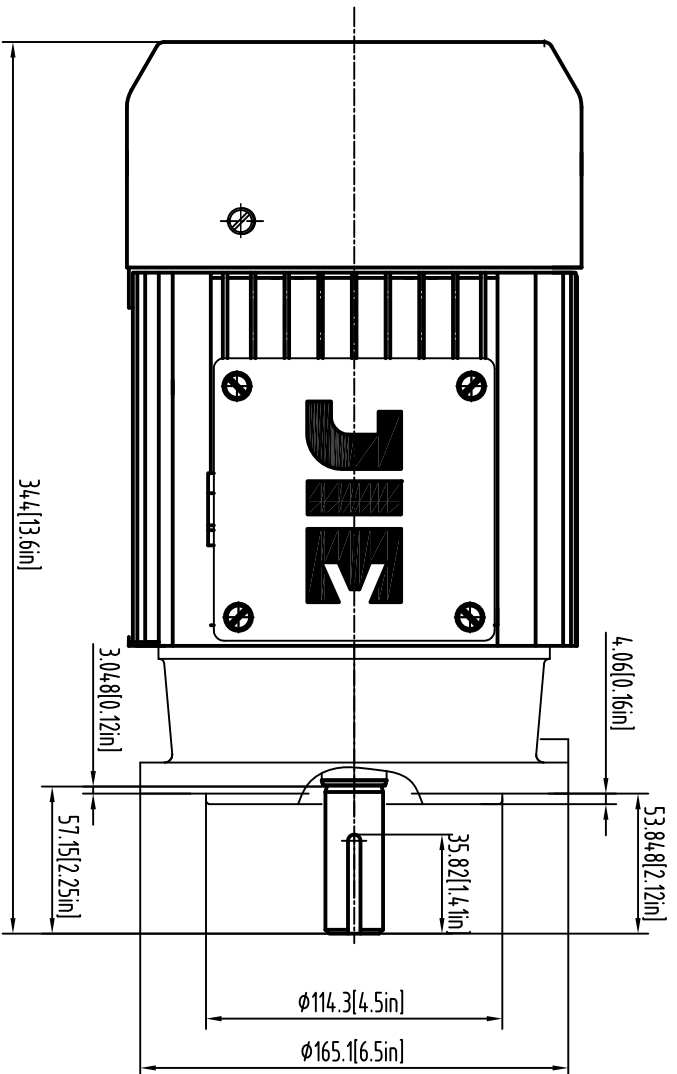
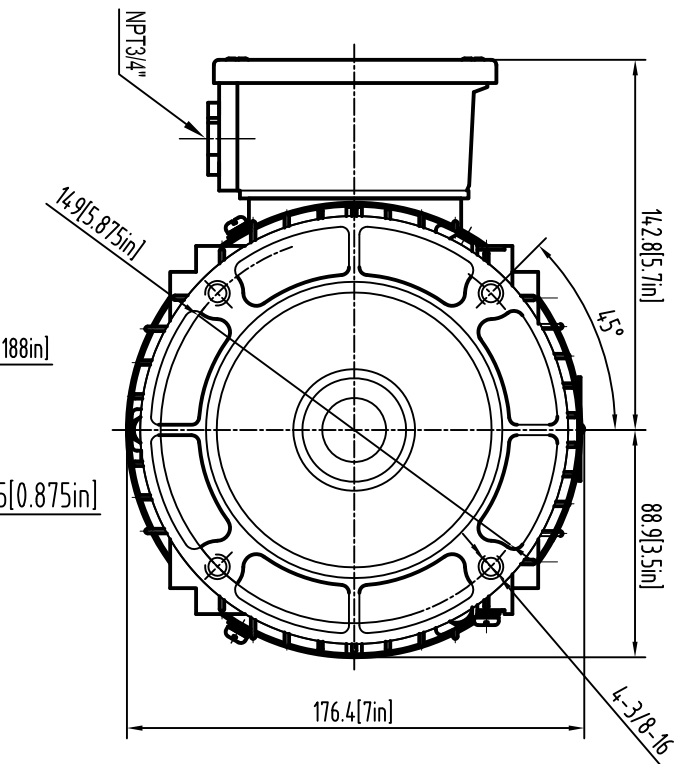


Model	JDNL-143-4-1-T	JDNL-143-2-1-T
Pole	4	2
Rated Power	0.75[kW]   1[HP]	0.75[kW]   1[HP]
Rated voltage[V]	230/460	230/460
Frequency[Hz]	60	60
Rated speed[rpm]	1735	3410
Rated current[A]	3.0/1.5	2.92/1.46
Insulation class	F	F
Protection class	IP55	IP55
Duty cycle	Cont.	Cont.
Cooling	TEFC	TEFC
Weight	14.2[kg]   31.3[lb]	11.0[kg]   24.3[lb]



**JIM**  
**DRIVE**  
NEMA Motor