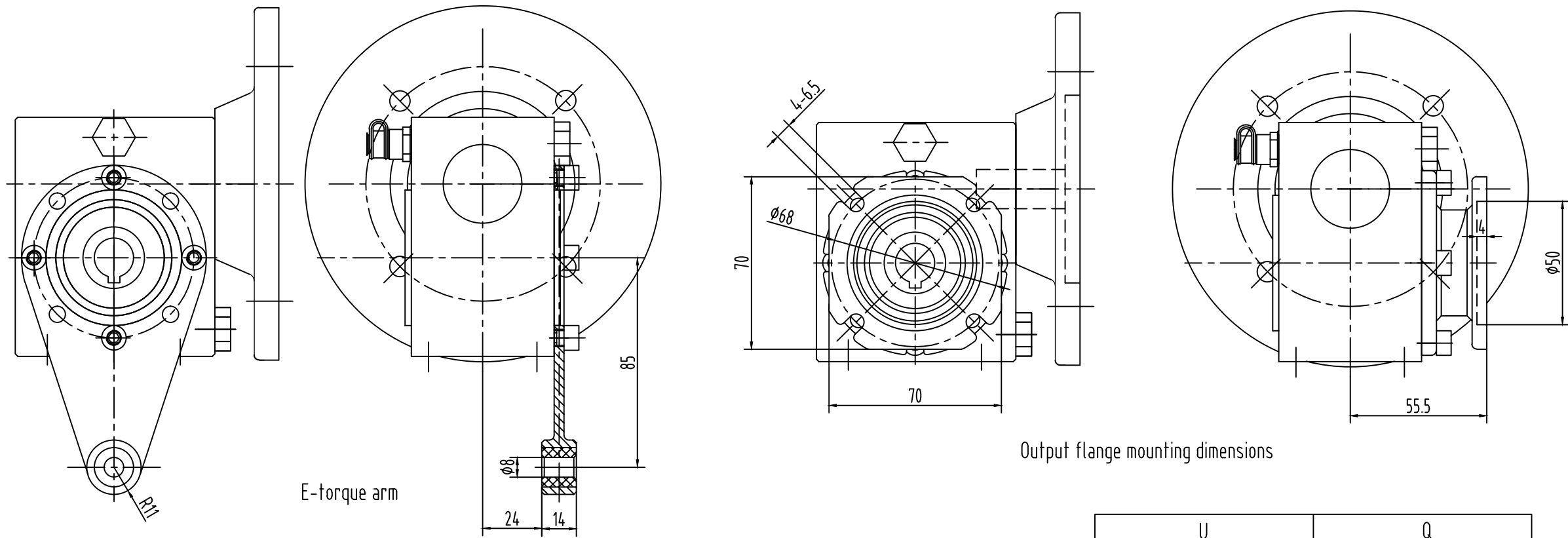
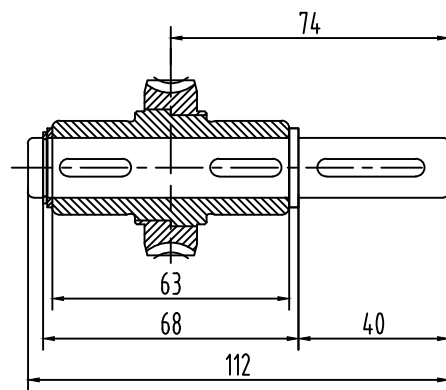


D-protective cover

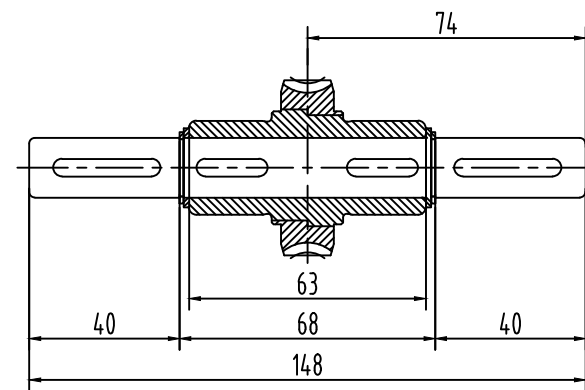
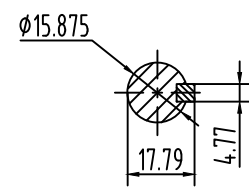


E-torque arm

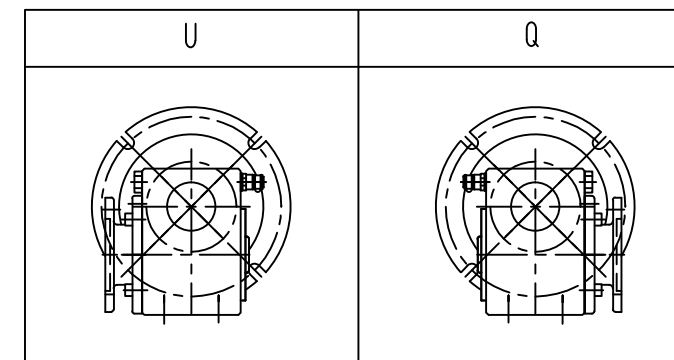
Output flange mounting dimensions



A-single output shaft



B-doubl output shaft



SS Worm Gear