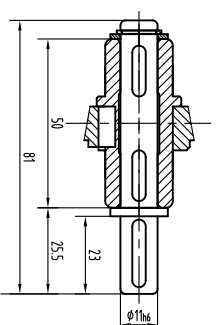
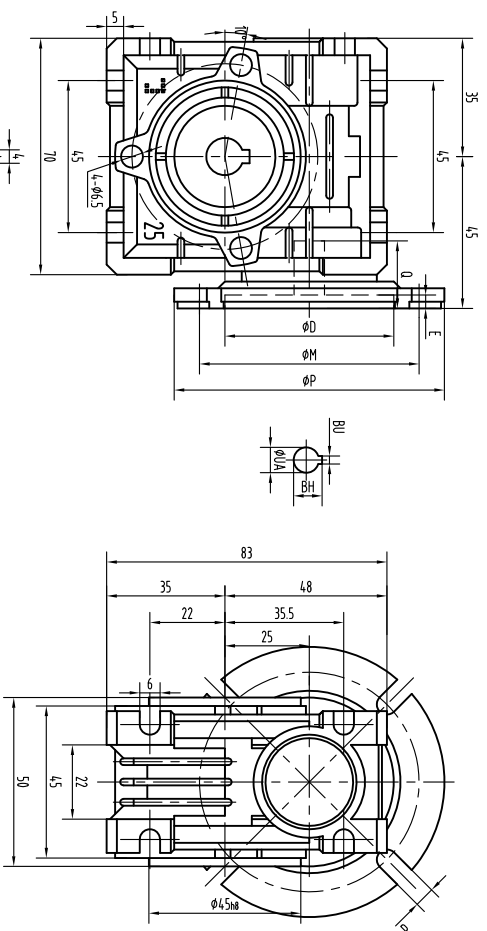
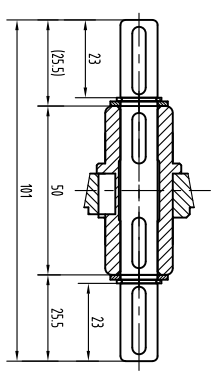


Motor flange mounting dimensions

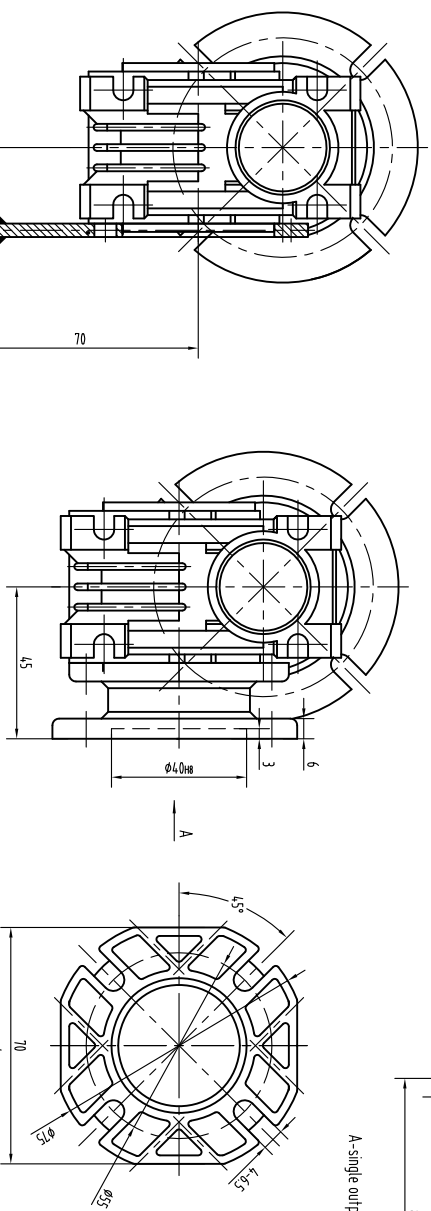
Motor flange	Dim	The hole diameter of shaft UA																	
		D	M	P	d	BH	BU	E	Q	Ratio									
56B14	50	65	80	6	10.4	3	3.5	20	7.5	10	15	20	25	30	4.0	5.0	6.0	8.0	10.0



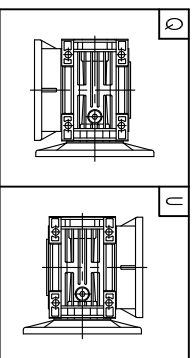
A-single output shaft



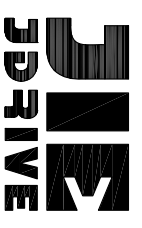
B-double output shaft



Output flange mounting dimensions



E-torque arm



Worm Gear