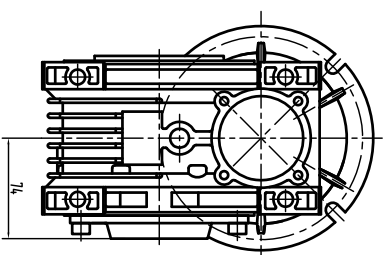


Motor flange mounting dimensions

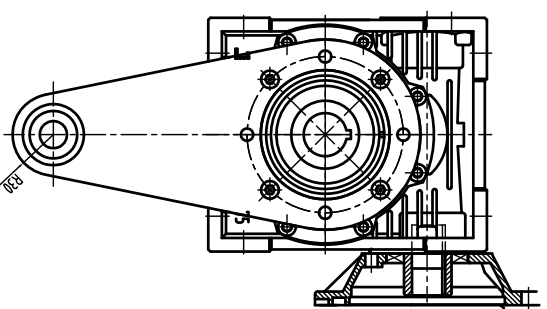
Dim	D	M	P	d	BH	BU	E	Q	The hole diameter of shaft UA											
									Ratio i											
Motor flange									7.5	10	15	20	25	30	40	50	60	80	100	
56C	114.3	149.4	165.1	10.5	18.1	4.78	6	55												
140TC	114.3	149.4	165.1	10.5	24.6	4.78	6	59												
180TC	130	165	200	13.7	31.5	6.35	6	76	28.58	-	-	-	-	-	-	-	-	-	-	-

Output flange mounting dimensions

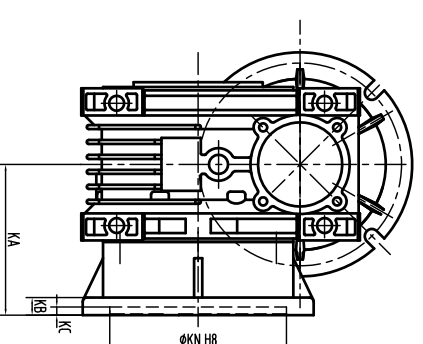
Dim	KA	KB	KC	KN	KM	KO	KP	KQ	KW
Output flange									
FA	111	13	6	130	165	14	200	170	4.5°
FB	90	13	6	110	130	14	160	-	4.5°



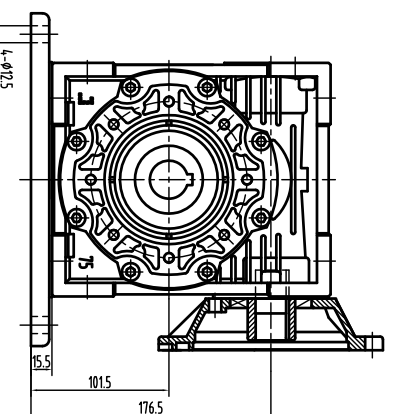
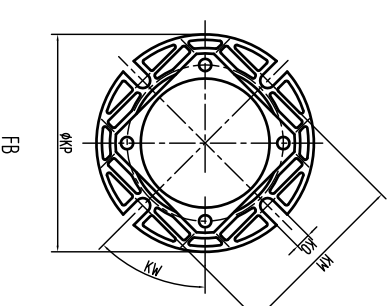
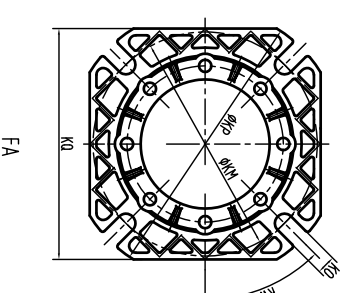
D-protective cover



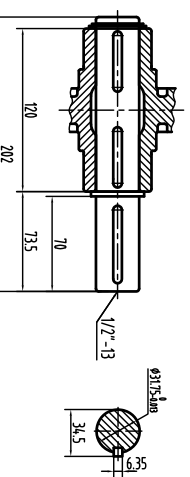
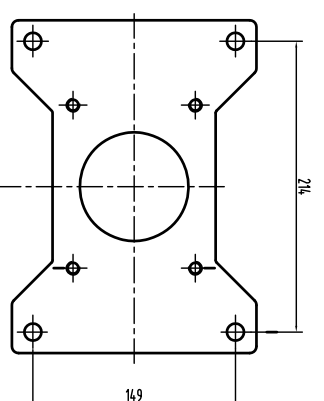
E-torque arm



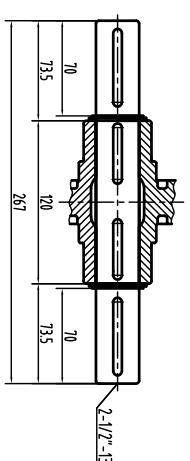
Output flange mounting dimensions



C-base plate



A-single output shaft



B-double output shaft

