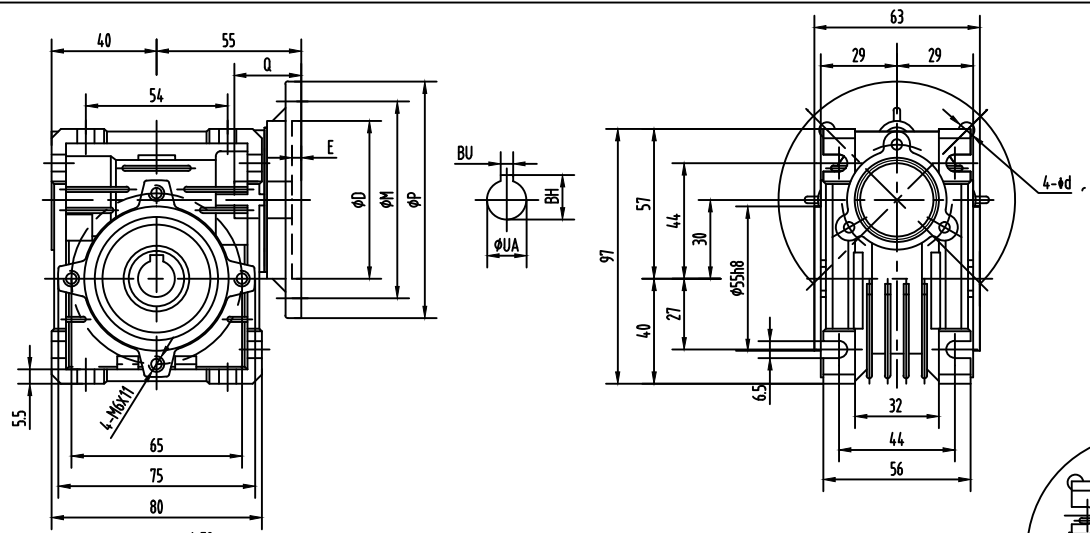
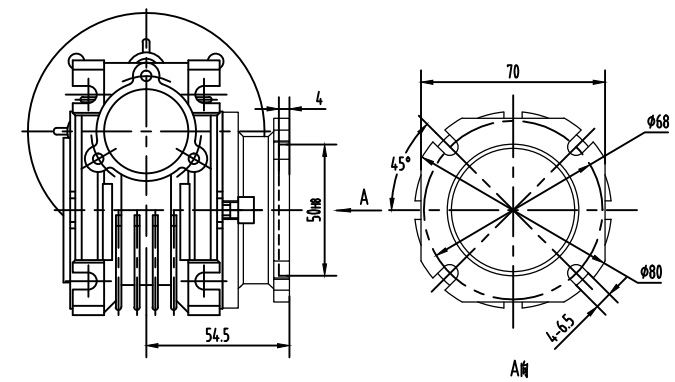


Motor flange mounting dimensions

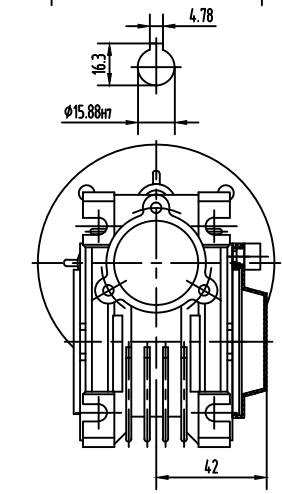
Dim	D	M	P	d	BH	BU	E	Q	The hole diameter of shaft UA										
									Ratio i										
Motor flange									7.5	10	15	20	25	30	40	50	60	80	100
48C	76.2	95.3	142.9	8.2	14.2	3.18	6	46	12.7										



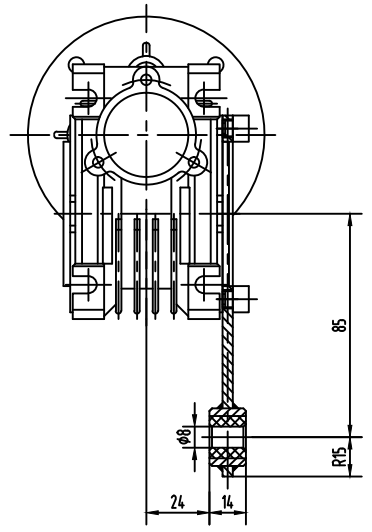
JRWND Mounting Dimensions



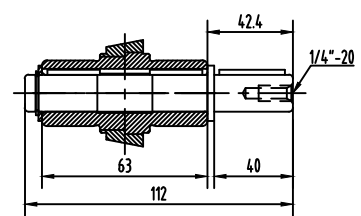
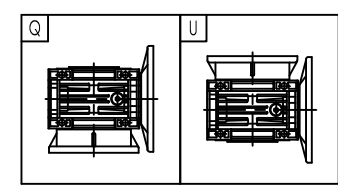
Output flange mounting dimensions



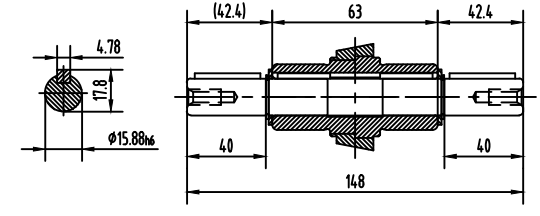
D-protective cover



E-torque arm



A-single output shaft



B-double output shaft



Worm Gear