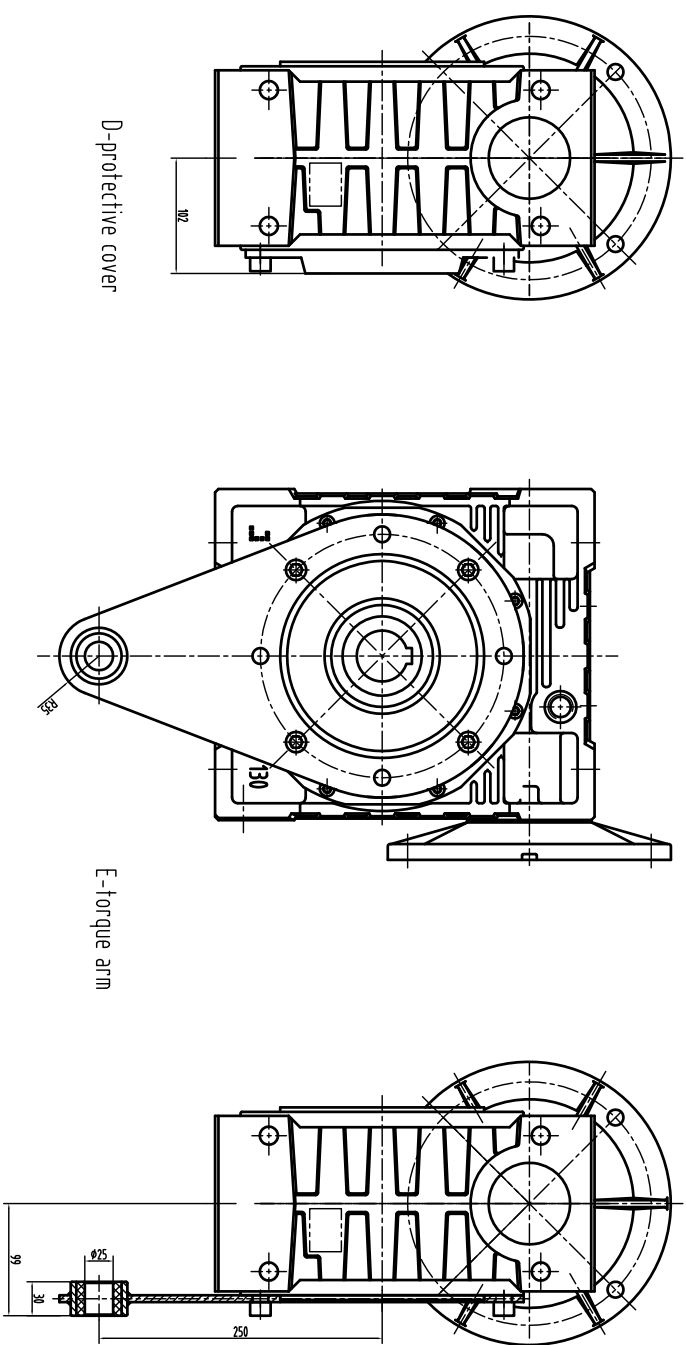
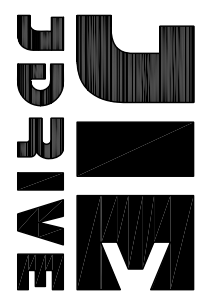
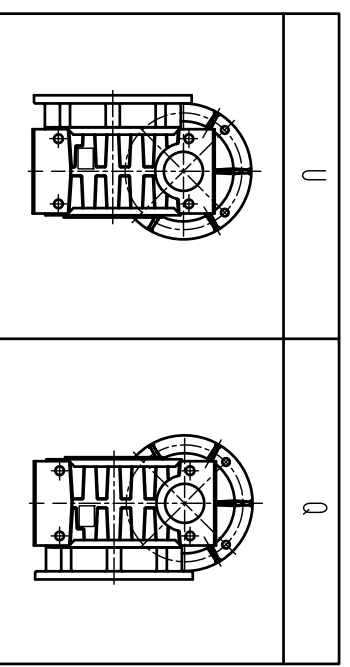
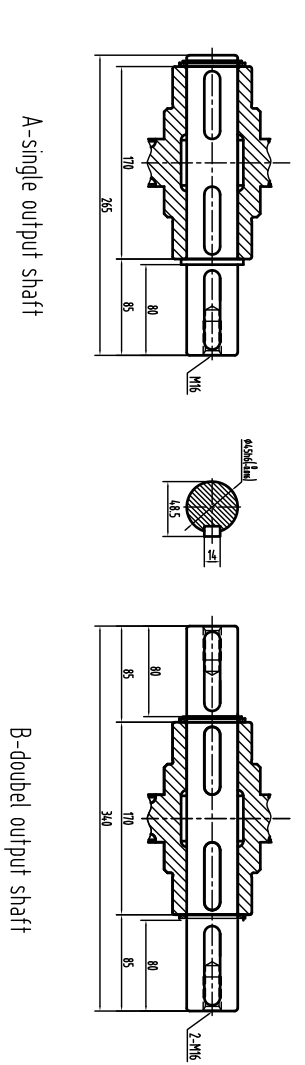
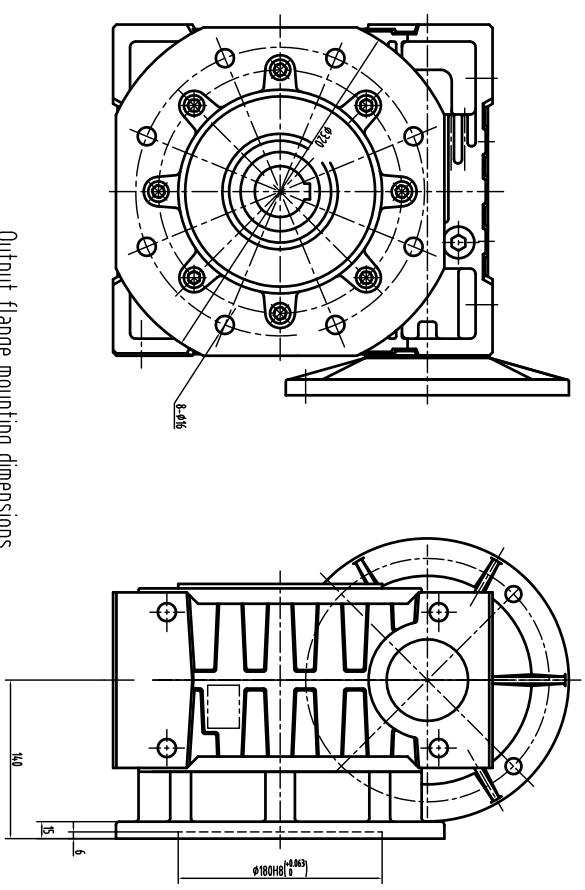


Motor flange mounting dimensions

Dim	D	M	P	d	BH	BU	E	Q	The hole diameter of shaft UA										
									Ratio i										
Motor flange	180	215	250	14	31.3	8	6	56	7.5	10	15	20	25	30	40	50	60	80	100
100/112B5	180	215	250	14	31.3	8	6	56	-	-	-	-	-	-	-	-	-	-	28
132B5	230	265	300	14	41.1	10	6	76	-	-	-	-	-	-	-	-	-	-	-



Output flange mounting dimensions



Worm Gear