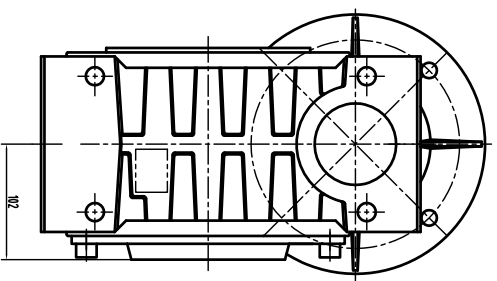
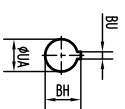
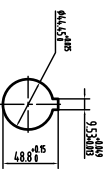
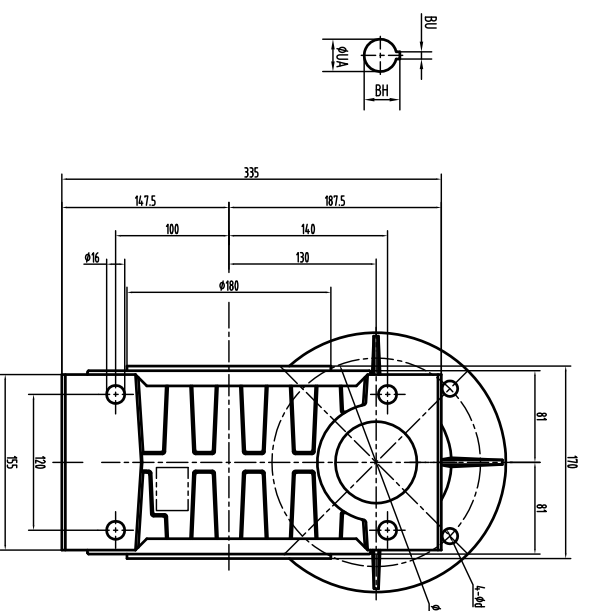
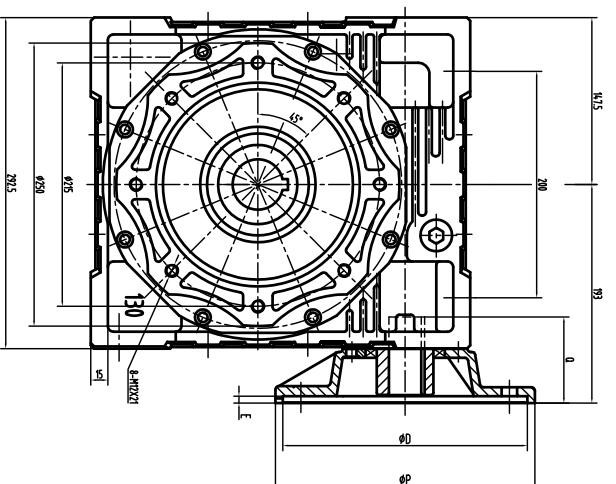
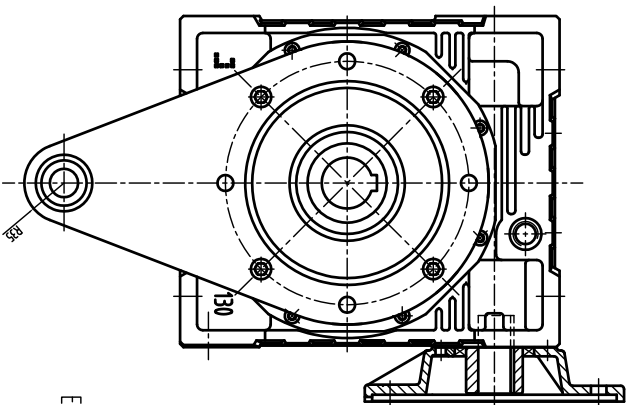


Motor flange mounting dimensions

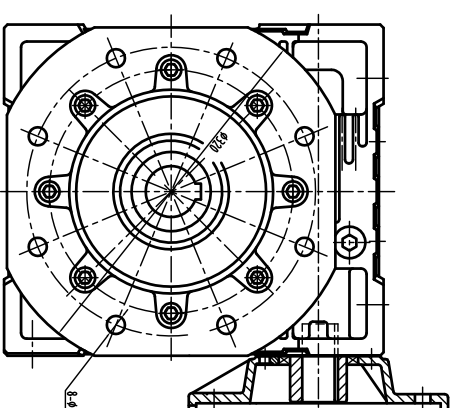
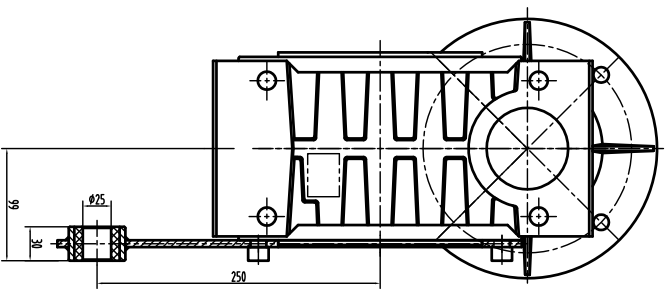
Motor flange Dim	D	M	P	d	BH	BU	E	Q	The hole diameter of shaft UA										
									Ratio i										
									7.5	10	15	20	25	30	40	50	60	80	100
140TC	114,3	14,9,4	165	10,5	24,6	4,78	6	59	-	-	-	-	-	-	-	-	-	22,23	
180TC	215,9	18,4,2	229	14	31,5	6,35	6	76	-	-	-	-	-	-	-	-	-	28,58	
210TC	215,9	18,4,2	229	14	38,6	7,95	6	89	-	-	-	-	-	-	-	-	-	34,93	



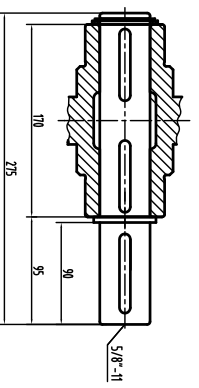
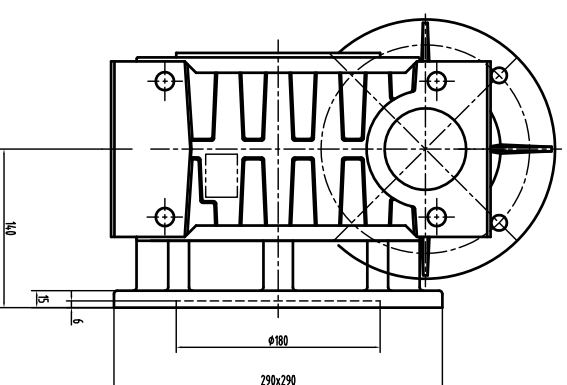
D-protective cover



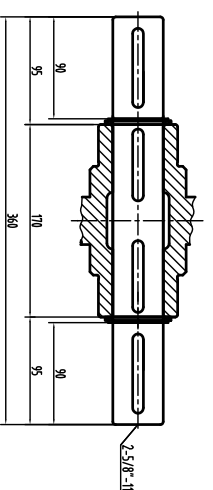
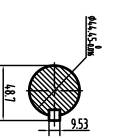
E-torque arm



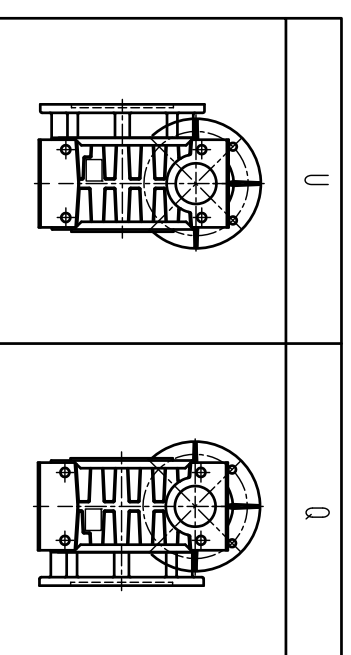
Output flange mounting dimensions



A-single output shaft



B-double output shaft



JDRIVE

Worm Gear